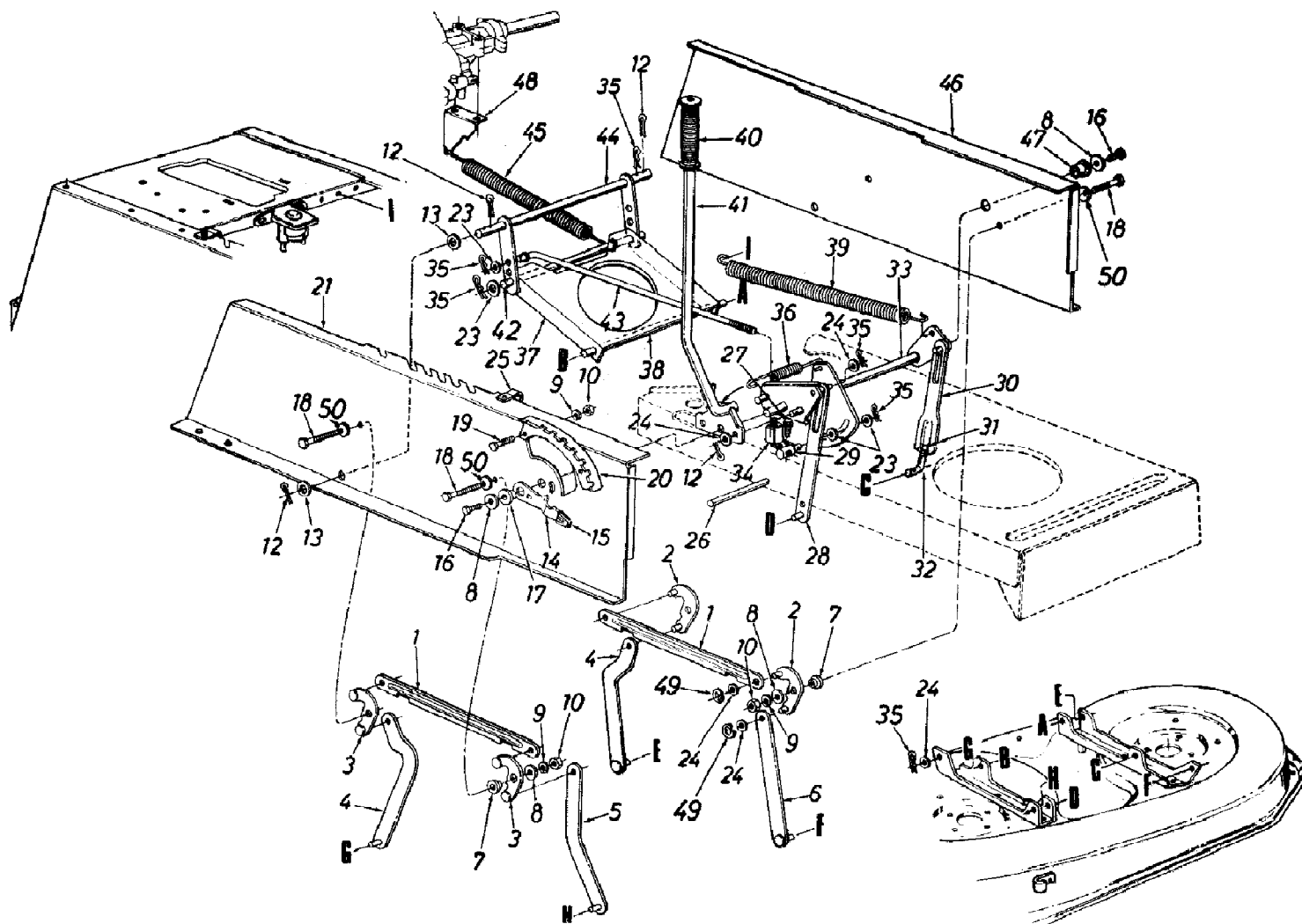


13AP683G190 LT-1500 (2000)
Deck Assembly

Page 2 of 23

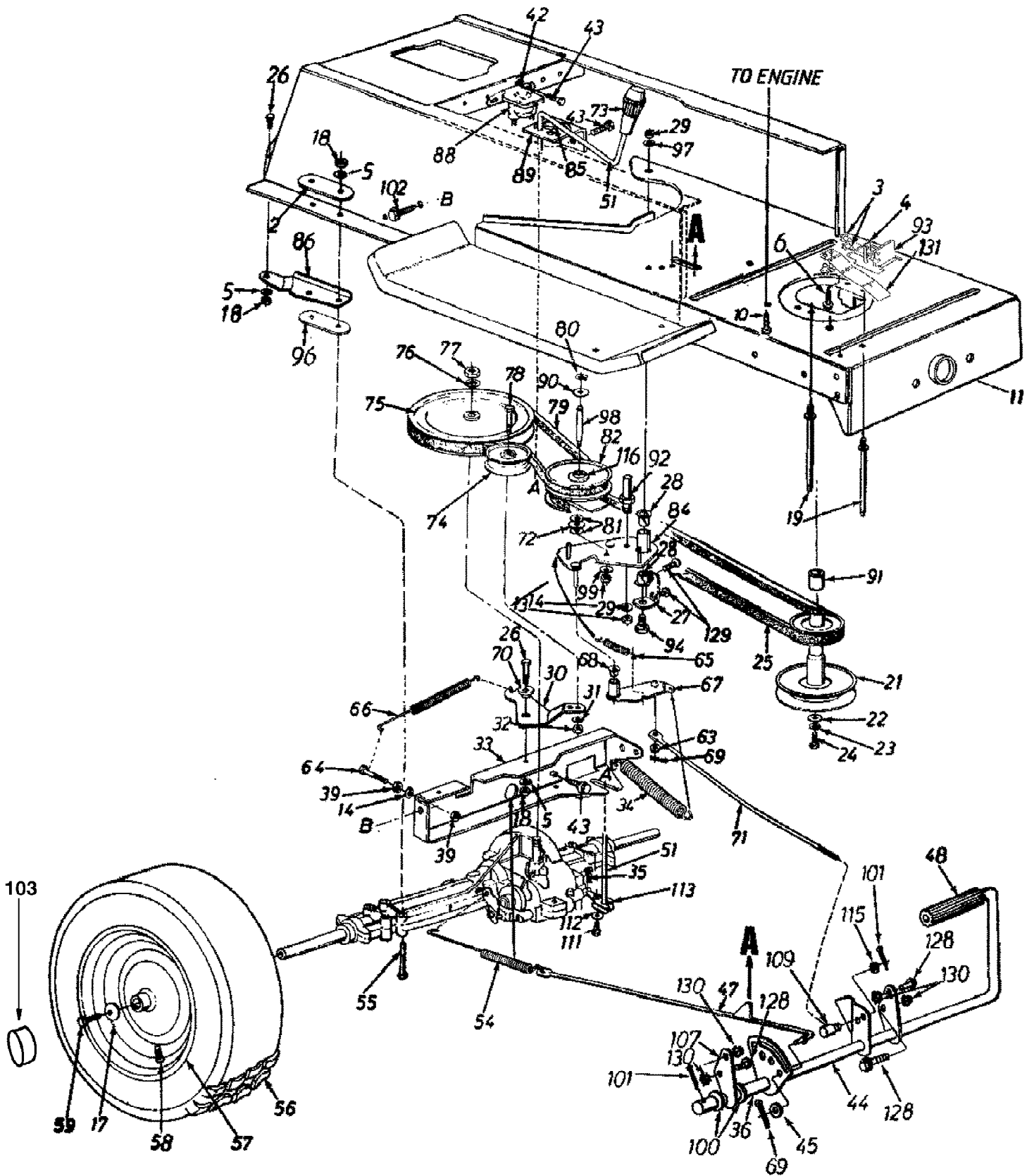
Ref #	Part Number	Qty	S/P/F	Description
2	710-1260A	1	/P	Hex Wash. TT-Tap Scr. 5/16-18 x .75"
3	683-0141A	1	S/F	42" Deck Ass'y.
	753-0698	1	/P/F	42" Deck Ass'y. (For Service Only)
4	783-0149A	1	S	Belt Guard Deck
7	712-3006	1	/P	Hex Nut 1/4-20 Thd. Optional
8	710-0751	1	/P	Hex Bolt 1/4-20 x .62"
10	711-0792	1	S	Hinge Pin
13	712-0181	1	S	Hex Top L-Nut 3/8-16 Thd.
14	712-3006	1	/P	Hex Nut 1/4-20 Thd. (Gr. 5)
17	734-0973	1	/P	Deck Wheel-5"
18	736-0105	1	/P	Bell-Wash. .40" I.D. x .88" O.D.
22	738-0373	1	S	Shld. Bolt .498" Dia. x 1.53"
23	742-0616	1	S	3 in 1 Blade
26	754-0371A	1	S	V-Belt
27	736-0270	1	/P	Bell-Wash. 1/4" I.D.
28	783-0342	1	S	Brake Disc
?33	710-0157	1	/P	Hex Bolt 5/16-24 x .75" Lg.
35	712-0417A	1	/P/F	Hex Flange Nut 5/8-18 Thd.
?37	736-0158	1	S	L-Wash. 5/8" I.D.
39	618-0142	1	S	Blade Spindle Ass'y. (Incl. Ref. 28, 35, 42)
42	756-0980	1	F	5.75" Dia. Pulley
52	703-1693	1	S	Hinge Mtg. Brkt.
53	732-0602	1	S	Torsion Spring
54	726-0106	1	S	Push Nut
55	731-1032	1	S	Chute Ass'y. (Incl. Ref.10, 52, 53, 54, 55)
56	710-0597	1	/P	Hex Bolt 1/4-20 x 1" Lg. Optional
57	712-3087	1	/P	Wing Nut 1/4-20 Thd. Optional
58	731-1643A	1	S	Mulching Plug Optional
59	16606	1	S	Retainer Hook Brkt.
60	712-3027	1	S	Hex Sems Nut 1/4-20 Thd.
61	710-0751	1	/P	Hex Bolt 1/4-20 x .62" Lg.
62	736-0173	1	/P	Flat Washer .28 ID x .74 OD



13AP683G190 LT-1500 (2000)
Deck Lift Assembly

Page 4 of 23

Ref #	Part Number	Qty	S/P/F	Description
1	783-0103	1	S	Connecting Rod
2	683-0029A	1	S	Pivot Link Ass'y.-L.H.
3	683-0028A	1		Pivot Link Ass'y.-R.H.
4	17710	1	S	Deck Hanger Link Ass'y.
5	14800A	1	S	Deck Hanger Link Ass'y.
6	14804A	1		Deck Hanger Link Ass'y.
7	748-0331	1	S	Shld. Spacer .318" I.D.
8	736-0231	1	S	FI-Wash. .344" I.D. x .62" O.D.
9	736-0119	1	S	L-Wash. 5/16" I.D.
10	712-3004A	1	/P	Hex Nut 5/16-18 Thd. (Gr. 5)
12	714-0470	1	S	Cotter Pin 1/8" Dia.
13	736-0256	1	S	FI-Wash. .635" I.D. x 1.0" O.D.
14	683-0003	1	S	Height Adj. Stop Lever Ass'y.
15	08540	1	/P	Knob
16	710-0604	1	S	Hex Wash. TT-Tap Scr.5/16-18 x
17	748-0176	1		Flange Brg. .63" I.D.
18	710-1238	1	/P	Hex Wash. Hd. Scr. 5/16-18x .875"
19	710-0118	1	S	Hex Bolt 5/16-18 x .75" Lg.
20	17730	1	S	Index Brkt.
21	783-0042B	1	S	Upper Frame-R.H.
23	736-0267	1	S	FI-Wash. .385" I.D. x .87" O.D.
24	736-0160	1	S	FI-Wash. .531" I.D. x .93" O.D.
25	726-0272	1	/P	Clamp
26	738-0526	1		Running Board Rod
27	710-3007	1	/P	Hex Wash. Hd. Tap Scr.
28	14802A	1	S	Link Deck Lift Ass'y.
29	711-0723A	1	S	Adj. Ferrule 3/8-24 Thd.
30	17712	1	S	Adj. Deck Lift Link
31	712-3066	1	S	Hex Nut 1/2-20 Thd. (Gr. 5)
32	711-0841	1	S	Lift Link Adjuster
33	17637A	1		Lift Shaft Ass'y.
34	725-1657A	1	S	Safety Switch (Deck)
35	714-0145	1	S	Inter. Cotter Pin 3/8" Dia.
36	732-0637	1	S	Extension Spring
37	17636C	1	S	Stabilizer Bracket
38	738-0670A	1	/P	Shaft 1/2" Dia. x 10.28" Lg.
39	732-0638	1		Extension Spring
40	720-0233	1	S	Grip (Lift Handle)
41	17675A	1	S	Deck Lift Handle Ass'y.
42	738-0669	1		Shaft 3/8" Dia. x 9.34" Lg.
43	747-0598	1		Disengagement Rod
44	17624	1	S	Stabilizer Shaft Ass'y.
45	732-0556	1	S	Extension Spring 7.58" Lg.
46	783-0043	1	/P	Upper Frame-L.H.
47	741-0487A	1	S	Flange Brg. .632" I.D.
48	17128A	1	S	Spring Retainer Brkt.
49	716-0104	1	S	"E"-Ring
50	736-0425	1	S	Bell-Wash. .325" I.D.



13AP683G190 LT-1500 (2000)
Drive & Rear Wheels

Page 6 of 23

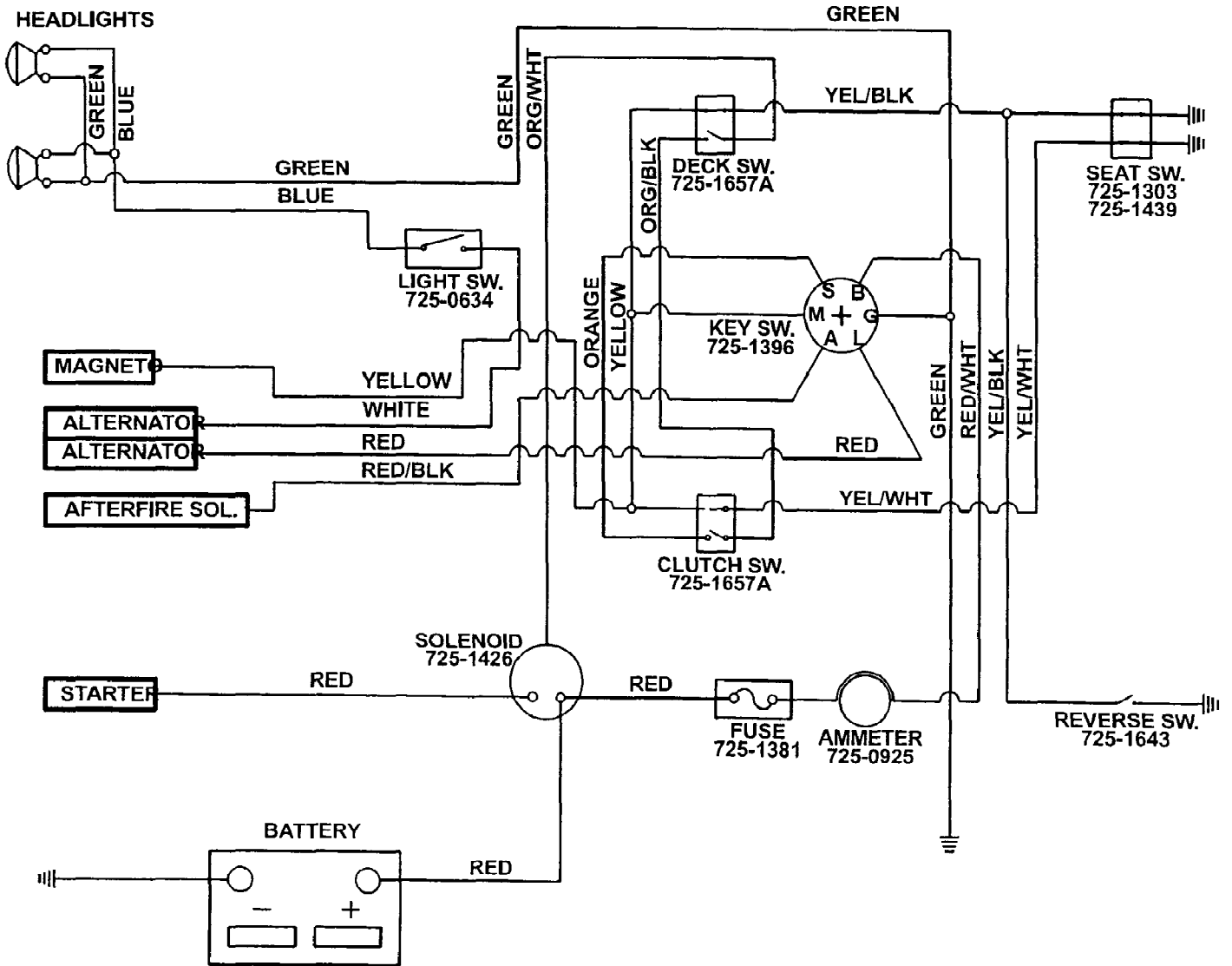
Ref #	Part Number	Qty	S/P/F	Description
2	17840	1	S	Transaxle Mtg. Brkt.
3	710-0224	1	S	Hex Screw #10-16
4	17962	1		SW Plate
5	736-0119	1	S	L-Wash. 5/16" I.D.
6		1		UNKNOWN
10	710-1315	1	/P	Hex TT-Tap Scr. 3/8-16 x1.5" Lg.
11	783-0310E	1	S	Lower Frame Ass'y.
13	712-3006	1	/P	Hex Nut 1/4-20 Thd. (Gr. 5)
14	736-0329	1	S	L-Wash. 1/4" I.D.
17	736-0242	1	/P	Bell-Wash. .345" I.D. x .88"
18	712-3010	1	S	Hex Nut 5/16-18 Thd. (Gr. 5)
19	711-1044	1	S	Belt Guard Stud 4.75" Lg.
21	756-0982A	1	S	Engine Pulley
22	736-0322	1	/P	FI-Wash. 7/16" I.D. x 1.25"
23	736-0171	1	S	L-Wash. 7/16" I.D.
24	710-3029	1	/P	Hex Bolt 7/16-20 x 1.25" Lg.
25	754-0280A	1	S	Variable-Speed Belt
26	710-3008	1	/P	Hex Bolt 5/16-18 x .75" Lg.
27	17963	1		Bearing Shaft Bracket Ass'y.
28	741-0495	1	/P	Flanged Nyliner Brg.
29	712-0241	1	/P	Hex Nut 3/8-24 Thd.
30	17643	1	S	Idler Bracket
31	736-0169	1	S	L-Wash. 3/8" I.D.
32	712-0241	1	/P	Hex Nut 3/8-24 Thd.
33	17629A	1	S	Transaxle Support Brkt.
34	732-0556	1	S	Ext. Spring .94" O.D. x 7.58"
35	714-0209	1	S	Inter. Cotter Pin
36	750-0802	1		Spacer .63" I.D.
39	712-0138	1	S	Hex Nut 1/4-28 Thd.
42	736-0222	1	S	Ext. L-Wash. 1/4" I.D.
43	710-0599	1	/P	Hx Wash. Hd. S-Tap Scr. 1/4-20 x .50"
44	683-0123	1		Clutch/Brake Pedal Ass'y.
45	736-0140	1	S	FI-Wash. .344" I.D. x .62"
47	747-0755A	1		Brake Rod Ass'y.
48	735-0196	1	S	Foot Pad
51	17705	1	/P	Shift Lever Ass'y.
54	732-0413	1	S	Ext. Spring .59" O.D. x 7.08"
55	710-0189	1	/P	Hex Bolt 5/16-18 x 3" Lg.
56	634-0104	1		Wheel Ass'y. Comp.
	734-1730	1		Tire Only
57	634-0070	1	/P	Wheel Rim Only
58	734-0255	1	S	Air Valve (Service Only)
59	710-0627	1	/P	Hex Bolt 5/16-24 x .75" Lg.
63	736-0275	1	S	FI-Wash. .34" I.D. x .68" O.D.
64	710-0428	1		Hex Bolt 1/4-28 x 1.25" Lg.
65	732-0568	1	S	Ext. Spring
66	732-0384	1	S	Ext. Spring .62" O.D. x 6.12"
67	16554A	1	S	Variable Speed Torque Brkt. Ass'y.
68	741-0419	1		Flanged Bearing
69	714-0111	1	S	Cotter Pin 3/32" Dia.
70	748-0234	1	/P	Shoulder Spacer .27" Lg.
71	747-0530A	1	/P	Speed Control Link
72	741-0405	1	S	Turntable Bearing .56 Dia. x 1.25"

13AP683G190 LT-1500 (2000)
Drive & Rear Wheels

Page 7 of 23

Ref #	Part Number	Qty	S/P/F	Description
73	720-0232	1	S	Shift Knob
74	756-0643	1	S	FI-Idler Pulley 3.12" Dia.
75	656-0004	1		"V" Pulley
76	736-0427	1	S	Bell-Wash. .56" I.D. x 1.125"
77	712-3035	1	/P	Hex Jam Nut 5/16-18 Thd.
78	710-0539	1	/P	Hex Bolt 3/8-24 x 1.75" Lg.
79	754-0370	1	S	Variable Speed Belt
80	716-0114	1	S	Snap Ring .56" Dia.
81	736-0355	1	/P	FI-Wash.
82	717-0800A	1	S	Variable Speed Pulley Ass'y. 5" O.D.
84	16354B	1	S	Variable Speed Brkt. Ass'y.
85	732-0525	1		Comp. Spring-Clip
86	17668	1	S	Axle Support Brkt.-R.H.
	17669	1	S	Axle Support Brkt.-L.H. (Not Shown)
88	725-1426	1	S	Solenoid
89	17630	1	S	Shift Lever Bracket
90	736-0414	1	S	Teflon Washer .565" I.D.
91	750-0956	1		Spacer 1" I.D. x 1.25" Lg.
92	711-1000	1	S	Belt Keeper 3" Lg.
93	725-1657A	1	S	Safety Switch (Clutch)
94	738-0755	1	S	Shld. Bolt 3/8-24 x 3.12" Lg.
96		1		UNKNOWN
97	736-0105	1	/P	Bell-Wash. .38" I.D. x .88"
98	738-0569	1	S	Shaft .56" Dia. x 3.875" Lg.
99	736-0331	1	/P	Bell-Wash. .39" I.D. x 1.12"
100	736-0256	1	S	FI-Wash. .64" I.D. x .94"
101	714-0470	1	S	Cotter Pin 1/8" Dia. x 1.25"
102	710-0604	1	S	Hex Wash. Hd. Scr. 5/16-18 x .62"
103	731-2290	1	S	Hub Cap LT-1500
107	17860	1	S	Pedal Bracket
109	711-0198	1	S	Ferrule
111	710-0195	1	S	Hex Bolt 1/4-28 x .50" Lg.
112	736-0270	1	/P	Bell-Wash. .265" I.D. x .75"
113	17707	1		Shift Lever Link Ass'y.
115	736-0140	1	S	FI-Wash. .385" I.D. x .62"
116	741-0404	1	S	Needle Brgs. (2 Req'd.)
128	710-1238	1	/P	Hex Wash. TT-Tap Scr. 5/16-18 x .75"
129	710-0726	1	/P	Hex Wash. AB-Tap Scr. 5/16-18 x .75"
130	712-0265	1	/P	Hex Sems Nut 5/16-18 Thd.
131	732-0750A	1	S	Spring Switch

Headlight Harness 629-0309

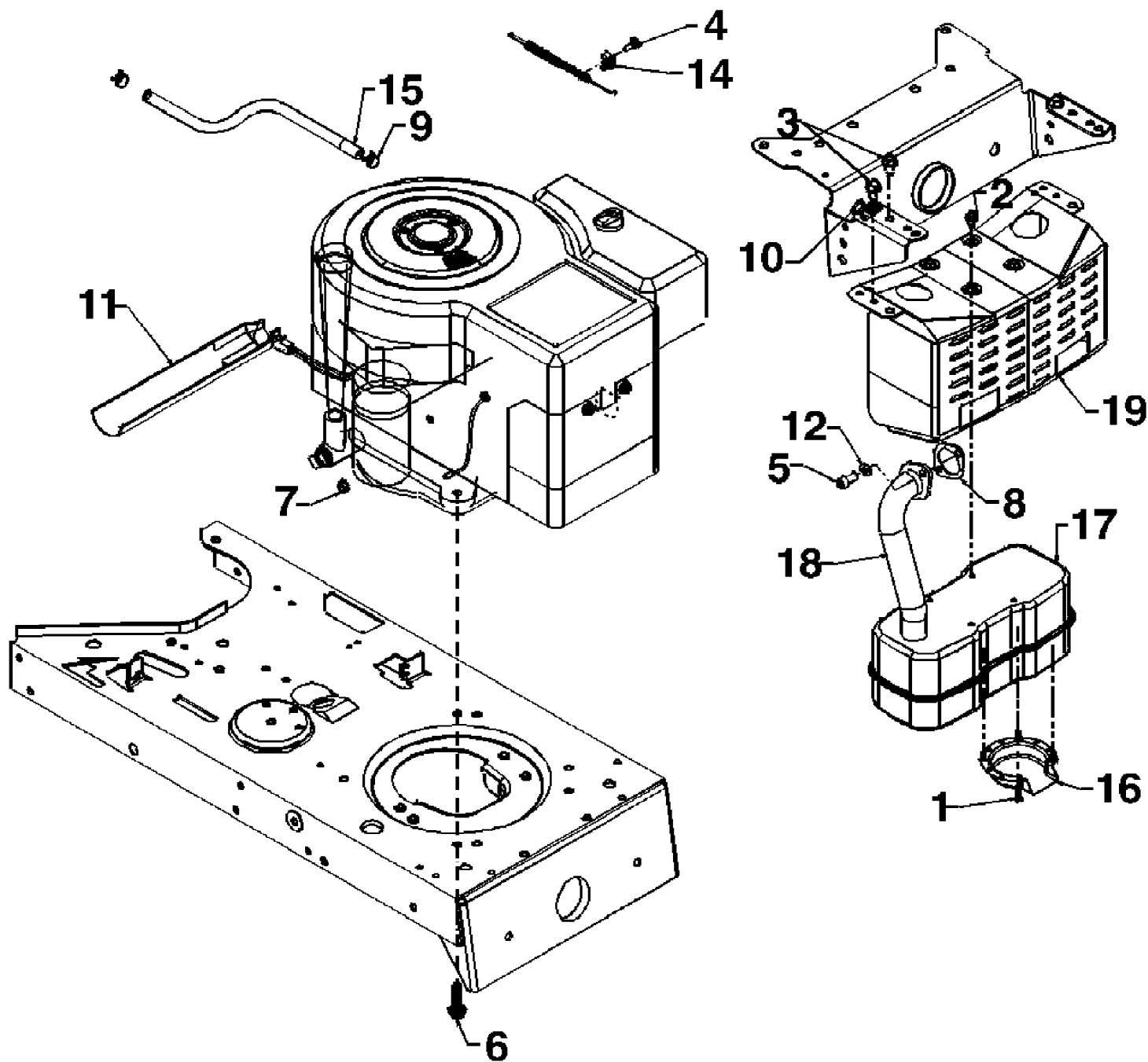


Wire Harness 629-0305D

13AP683G190 LT-1500 (2000)
Electrical

Page 9 of 23

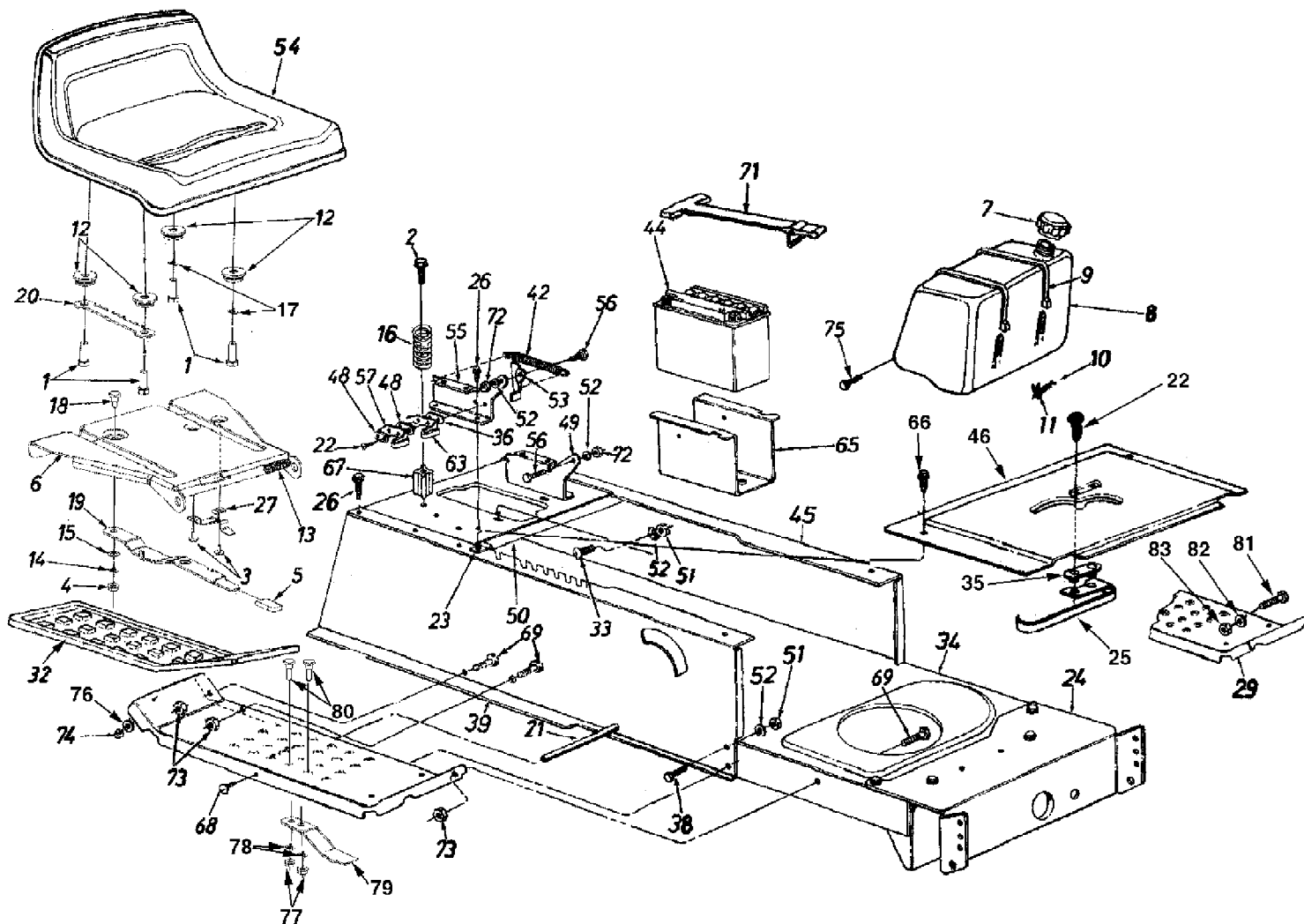
Ref #	Part Number	Qty	S/P/F	Description
725-0634	725-0634	1	S	LIGHT SW.
725-1426	725-1426	1	S	SOLENOID
725-1381	725-1381	1	S	FUSE
725-0925	725-0925	1	S	AMMETER
725-1657A	725-1657A	1	S	CLUTCH SW.
725-1396	725-1396	1	S	KEY SW.
725-1657A	725-1657A	1	S	DECK SW.
725-1303	725-1303	1	S	SEAT SW.
725-1439	725-1439	1		SEAT SW.
725-1643	725-1643	1		REVERSE SW.
629-0309	629-0309	1	S	HEADLIGHT HARNESS
629-0305D	629-0305D	1	S	WIRE HARNESS



13AP683G190 LT-1500 (2000)
Engine Accessories

Page 11 of 23

Ref #	Part Number	Qty	S/P/F	Description
1	710-0148	1	/P	Hex Slot Scr. #8-32 x .38" Lg.
2	710-0599	1	/P	Hex Wash. TT-Tap Scr. 1/4-20 .5" Lg.
3	710-0604	1	S	Hex Wash Hd. TT-Tap Scr. 5/16-18 x .62" Lg.
4	710-1237	1		Scr. #10-32: .620 Hx. Slot Wash.
5	710-1314	1	S	Socket Hd. Bolt 5/16-18 x .62"
6	710-1315	1	/P	Scr. 3/8-16 x 1.25
7	712-0271	1	/P	Nut, Hex 1/4-20
8	721-0208	1	S	Exhaust Gasket
9	726-0205	1	/P	Hose Clamp .49 Dia.
10	726-0272	1	/P	Clamp 9/16 Dia.
11	731-1682A	1	/P	Oil Drain Sleeve
12	736-0119	1	S	L-Wash. 5/16" I.D.
14	751B213146	1	/P	Casing Clamp, Throttle, B&S
15	751-0535-13	1	S	Fuel Line Hose
16	751-0564	1	S	Muffler Deflector
17	751-0617	1	S	Muffler
18	751-0619	1	S	Exhaust Pipe
19	783-0615	1	S	Muffler Heat Shield



13AP683G190 LT-1500 (2000)
Fuel Tank, Seat, Battery, Frame

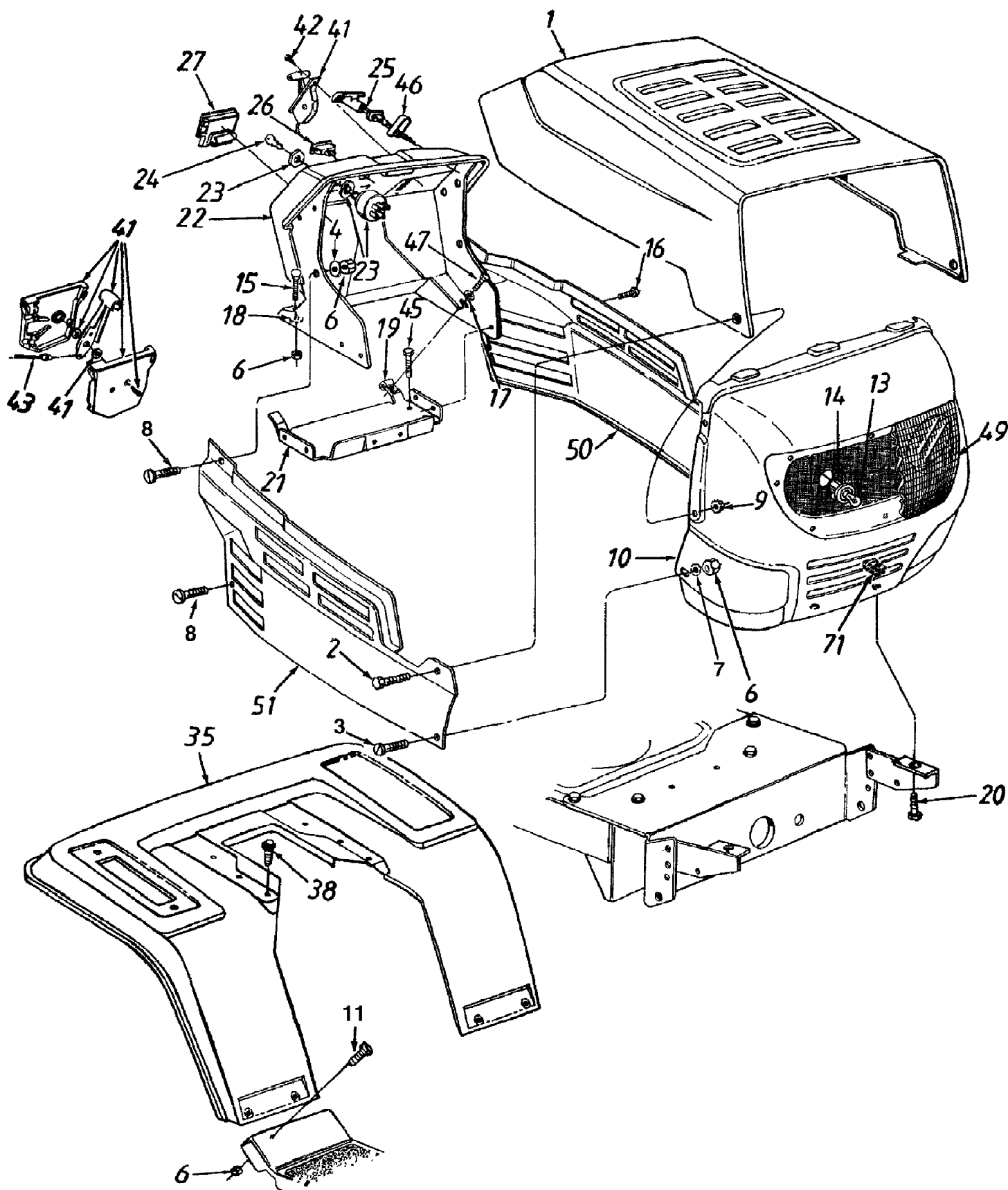
Page 13 of 23

Ref #	Part Number	Qty	S/P/F	Description
1	738-1007	1		Shoulder Screw 3/8-16 x .5
2	710-1208	1	/P	Hex Washer Tap Scr. 5/16-18 x 3.25"
3	710-1268	1	/P	Hx Scr. B-Tap Wash. #10-16:.38
4	712-3027	1	S	Lock Nut 1/4-20
5	720-0309A	1	/P	Grip
6	783-0607A	1	S	Seat Pivot Bracket
7	751-0603	1	S	Fuel Cap
8	751-0555	1	S	Fuel Tank
9	726-0209	1	/P	Tie Strap
10	751-0535-15	1	S	Fuel Line
11	726-0205	1	/P	Hose Clamp
12	731-1989	1		Seat Spacer
13	732-0499	1		Compression Spring
14	736-0175	1	S	Wash. Spring .265 x .562 x .025
15	736-0204	1	/P	Fl. Wash. .344 ID x .62 OD x .03
16	732-0735	1	/P	Compression Spring
17	736-0192	1	S	Flat Washer .535 x .93 x .090
18	738-0137A	1	S	Shldr. Scr. .340 x .285 - 1/4-20
19	783-0609	1		Seat Lever
20	783-0753	1		Seat Selector
21	738-0526	1		Running Board Rod
22	710-0227	1	/P	Hex AB-Tap Scr. #8 x .50"
23	726-0139	1	/P	Speed Nut #10Z
24	783-0041B	1	/P	Front Pivot Brkt.
25	725-1643	1		Reverse Safety Switch
26	710-0726	1	/P	Hex Washer AB-Tap Scr. 5/16 x .75"
27	783-0611	1		Seat Stop
29	17770C	1	S	Running Board (R.H. & L.H.)
32	731-0909	1	S	Rubber Foot Pad-L.H.
	731-0910	1	S	Rubber Foot Pad-R.H.
33	710-0323	1	/P	Truss Mach. Scr. 5/16-18 x .75" Lg.
34	783-0310E	1	S	Lower Frame
35	726-0320	1	S	Insalatop Nut Plate
36	726-0278	1		Insulator Boss Plate
38	710-3008	1	/P	Hex Bolt 5/16-18 x .75" Lg.
39	783-0042B	1	S	Upper Frame-R.H.
42	732-0581B	1	S	Extension Spring 5.31" Lg.
44	725-1750	1	S	12-V Battery
45	783-0043	1	/P	Upper Frame-L.H.
46	17286B	1	S	Shift Cover
48	726-0320	1	S	Insulator Plate
49	17951A	1	S	Seat Pivot Brkt. Support-L.H.
50	783-0355A	1	/P	Hitch Plate
51	712-3010	1	S	Hex Nut 5/16-18 Thd.
52	736-0119	1	S	L-Wash. 5/16" I.D.
53	17239A	1	S	Seat Lift Brkt.
54	757-0360A	1	S	Seat
55	17950A	1	S	Seat Pivot Brkt. Support-R.H.
56	738-0296	1	S	Shld. Bolt .437" Dia. x .268"
57	725-1303	1	S	Spring Switch
63	725-1439	1		Safety Switch (Seat)
65	783-0345	1	S	Battery Tray
66	710-0351	1		Hex Washer Tap Scr. #10 x .5"

13AP683G190 LT-1500 (2000)
Fuel Tank, Seat, Battery, Frame

Page 14 of 23

Ref #	Part Number	Qty	S/P/F	Description
67	748-0347	1	S	Spring Spacer
68	710-0323	1	/P	Pan Hd. Scr. 5/16-18 x .75"
69	710-3008	1	/P	Hex Bolt 5/16-18 x .75"
?70	731-0405	1		Snap Bushing
71	723-3064	1		Battery Retainer Strap
72	712-3010	1	S	Hex Nut 5/16-18 Thd. (Gr. 5)
73	712-0265	1	/P	Hex Sems Nut 5/16-18 Thd.
74	712-3006	1	/P	Hex Sems Nut 1/4-20 Thd.
75	710-1189	1		Hex Screw 12-24 x .62
76	736-0270	1	/P	Bell Wash. .265 x .75 x .062
77	712-3006	1	/P	Hex Nut 1/4-20 Gr. 5
78	736-0329	1	S	L-Wash.
79	761-0168B	1	S	Blade Brake Asm.
80	710-0703	1	/P	Hex Carriage Screw 1/4-20 x .75"
81	738-0145	1	S	Shld. Screw
82	736-0105	1	/P	Spring Wash.
83	712-3017	1	S	Hex Nut 3/8-16 Gr. 5

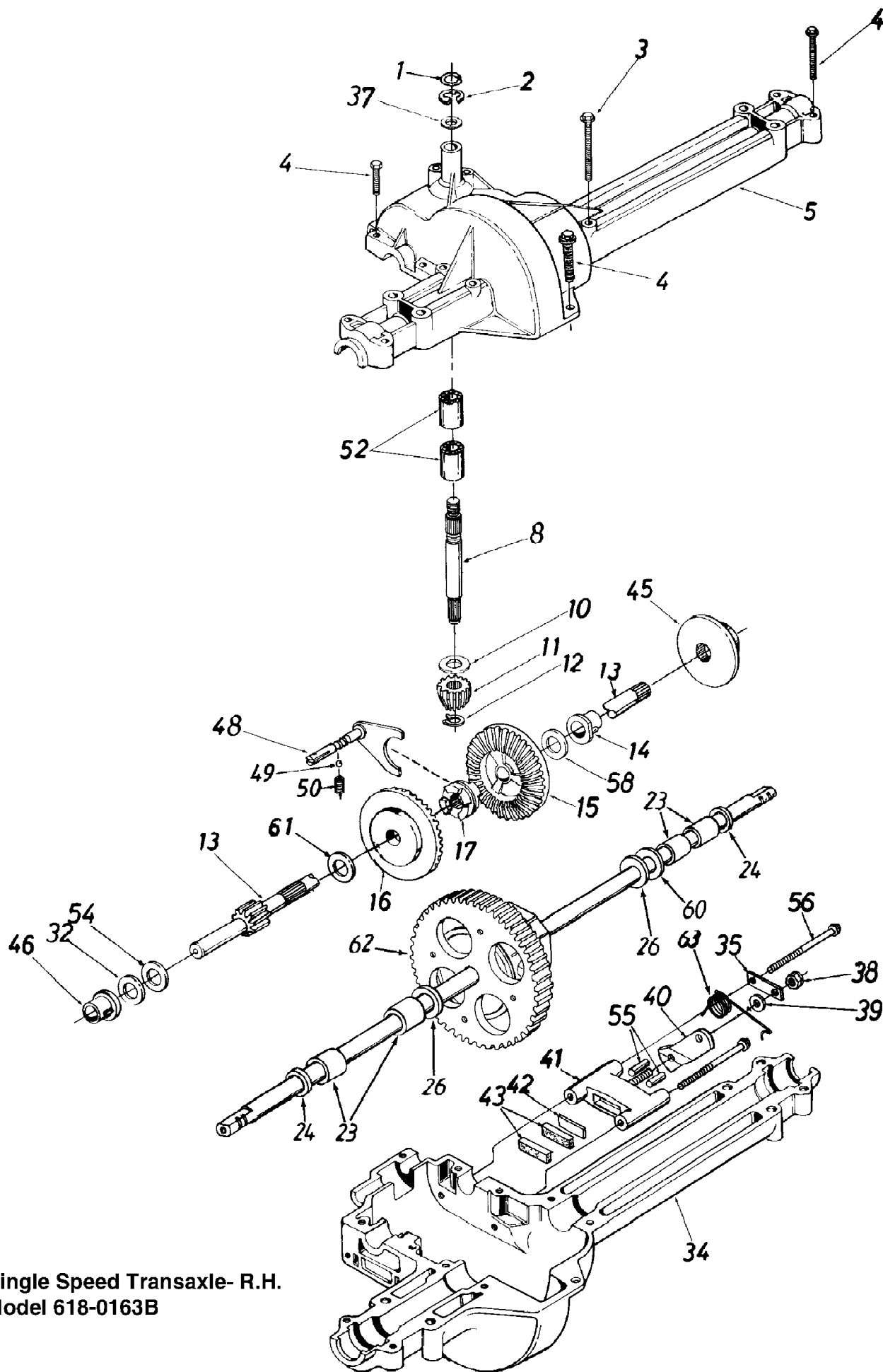


13AP683G190 LT-1500 (2000)
Hood & Fender

Page 16 of 23

Ref #	Part Number	Qty	S/P/F	Description
1	783-0250-0662	1	S	Hood
2	738-0952A	1	S	Shld. Bolt .375" Dia. x .125" Lg.
3	710-0924	1	/P	Scr. 1/4-20 x .75
4	736-0342	1		Wash. .283 x .030
6	712-3006	1	/P	Hex Sems Nut 1/4-20 Thd.
7	736-0270	1	/P	Bell.Washer .265 x .75" Lg.
8	710-0642	1	/P	Hex Wash. Hd. TT-Tap Scr. 1/4-20 x .75" Lg.
9	712-3027	1	S	Flange L-Nut 1/4-20 Thd.
10	783-0156A	1		Grille
11	710-0751	1	/P	Hex Hd. Cap Scr. 1/4-20 x .62" Lg.
13	725-0963	1	S	Lamp
14	725-1651	1	S	Socket
15	710-0703	1	/P	Carriage Bolt 1/4-20 x .75" Lg.
16	710-0599	1	/P	Hex Wash. Hd. TT-Tap Scr. 1/4-20 x .5" Lg.
17	736-0173	1	/P	FI-Wash. .281" I.D. x .73" O.D.
18	726-0233	1	/P	Bolt Retainer 1/4" I.D.
19	712-0185	1		Speed Nut 1/4-20
20	710-0376	1	/P	Hex Bolt 5/16-18 x .75" Lg.
21	17632A	1	S	Gas Tank Support Brkt.
22	731-1096B	1	S	Dash w/Ammeter Hole
23	725-1396	1	S	Ignition Switch
24	725-0201	1	S	Ignition Key
25	746-0616A	1	S	Choke Control
26	725-0634	1	S	Light Switch
27	725-0925	1	S	Ammeter
35	783-0329A-0650	1		Fender
35	730-3000	1	S	Reflector Not shown
38	710-0726	1	/P	Hex Wash. Hd. AB-Tap Scr. 5/16 x .75" Lg.
41	831-0823A	1	/P	Throttle Box Ass'y.
42	710-0779A	1	/P	Truss Mach. AB-Tap Scr. #10 x .5" Lg.
43	746-0776	1	S	Throttle Control Wire
45	710-0607	1	/P	Hex Wash. Hd. B-Tap Scr. 5/16-18 x .5" Lg.
46	17782	1		Choke Retainer
47	710-0642	1	/P	Hex TT-Tap Scr. 1/4-20 x .75" Lg.
49	731-1503A	1	S	Lens
49	726-04077	1		Nut, Push 3/32 Not shown
50	783-0151A-0662	1	S	Side Panel-L.H.
51	783-0150A-0662	1	S	Side Panel-R.H.
71	726-0211	1	S	U-Nut 5/16-18 Thd.
	629-0305D	1	S	Wire Harness Not Shown

13AP683G190 LT-1500 (2000)
Single Speed Transaxle



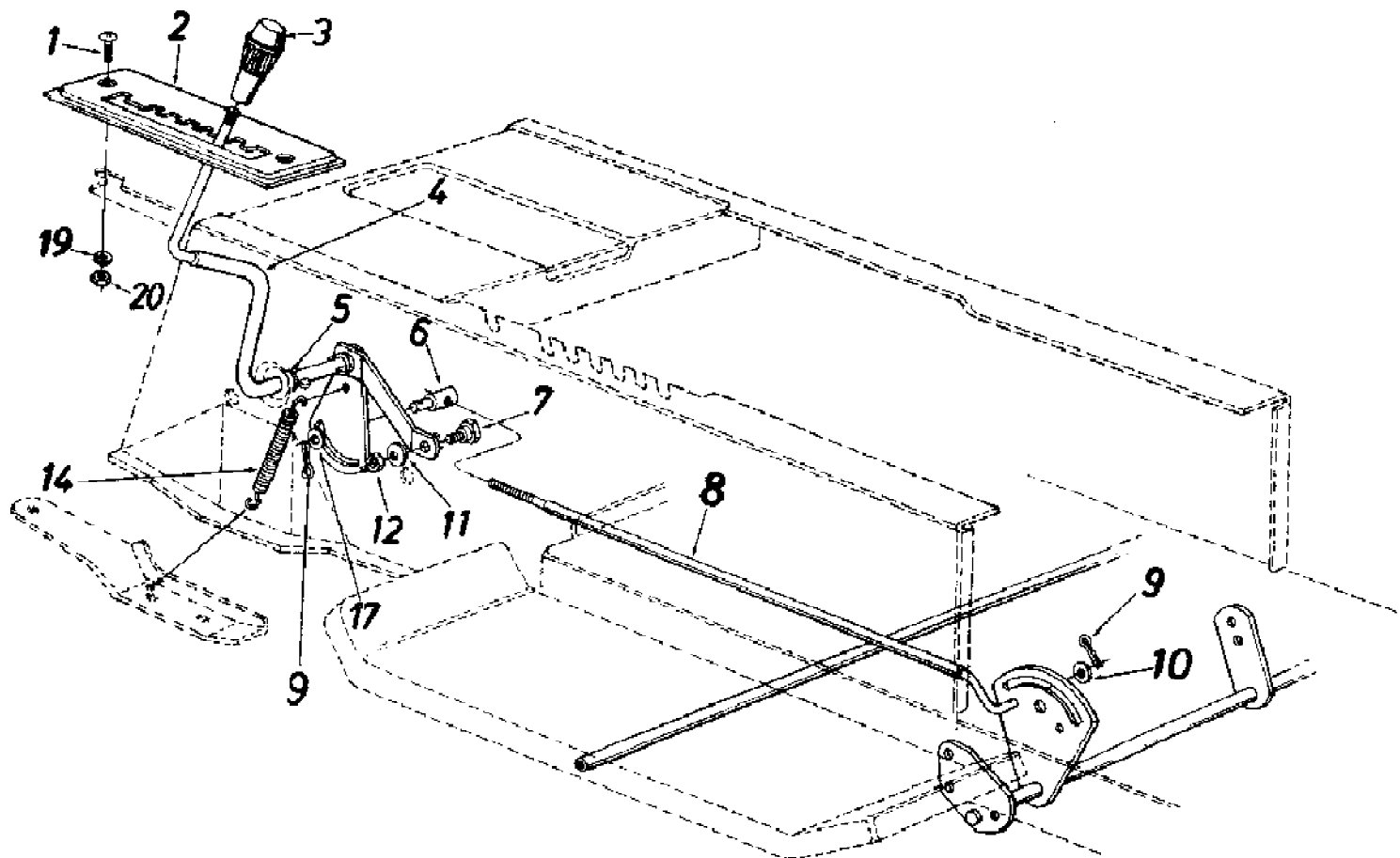
Single Speed Transaxle- R.H.
Model 618-0163B

13AP683G190 LT-1500 (2000)
Single Speed Transaxle

Page 18 of 23

Ref #	Part Number	Qty	S/P/F	Description
1	732-0614	1		Wire Ring
2	716-0231	1	S	"E"-Ring
3	710-1026	1	/P	Hex Wash. TT-Tap Scr. 1/4-20 x 1.75"
4	710-0809	1		Hex Tap Scr. 1/4-20 x 1.25" Lg.
5	719-0367	1		Upper Housing
8	711-0861	1		Input Shaft
10	736-0335	1	S	Thrust Washer 5/8" I.D. x1.25" O.D.
11	717-0633	1	S	Pinion Input 14T
12	716-0171	1	S	Retaining Ring
13	711-1003	1	S	Drive Shaft-R.H. Brake
14	741-0336	1	S	Flange Brg. 5/8" I.D. x 3/4" Lg.
15	717-1362	1	S	Bevel Gear 42T Small I.D.
16	717-1363	1	S	Bevel Gear 42T Large I.D.
17	718-0228	1		Clutch Collar
?21	710-0862A	1	/P	Pan Head Scr. 1/4-20 x .50" Lg. w/Patch
23	741-0340	1	S	Sleeve Bearing 3/4" I.D. x1.0" Lg.
24	721-0338	1	S	Oil Seal 3/4" I.D.
26	736-0445	1	S	FI-Wash. .760" I.D. x 1.5" O.D.
32	736-0495	1	S	Thrust Wash. 5/8" I.D. x 1" O.D. x .025"
32	736-0336	1	S	FI-Wash. 5/8" I.D. x 1" O.D. x .030" Thk.
32	736-0494	1		Thrust Wash. 5/8" I.D. x 1" O.D. x .035"
32	736-0337	1	S	FI-Wash. 5/8" I.D. x 1" O.D. x .040" Thk.
34	719-0313B	1	/P	Lower Housing
35	718-0150	1		Anti-Rotation Brkt.
37	736-0349	1	S	FI-Wash. 5/8" I.D. x 1" O.D. x .020" Thk.
37	736-0336	1	S	FI-Wash. 5/8" I.D. x 1" O.D. x .030" Thk.
37	736-0337	1	S	FI-Wash. 5/8" I.D. x 1" O.D. x .040" Thk.
38	712-0273	1	S	Hex Nut 5/16-24 Thd.
39	736-0371	1	/P	FI-Wash. .344" I.D. x .875" O.D.
40	717-0700	1	/P	Actuating Arm
41	761-0198	1	S	Brake Yoke
42	717-0682	1	S	Puck Plate
43	717-0678	1	S	Brake Puck
45	761-0202	1		Brake Disc
46	741-0337	1	S	Flange Bearing 5/8" I.D. x 15/16" Lg.
48	611-0011	1	S	Shift Fork Ass'y.
49	741-0862	1	/P	Ball Detent .250" Dia.
50	732-0863	1	S	Spring Detent
52	741-0335	1	S	Needle Brg. 5/8" I.D. x 1/2" Lg.
54	736-0349	1	S	FI-Wash. 5/8" I.D. x 1" O.D. x .020 Thk.
55	741-0343	1	S	Actuating Pin 5/16" Dia.
56	710-1206	1	/P	Hex Wash Hd. Self-Tap Scr.1/4-20 Thd.
58	736-0349	1	S	FI-Wash. 5/8" I.D. x 1" O.D. x.020 Thk.
	736-0495	1	S	Thrust Wash. 5/8" I.D. x 1" O.D. x .025" Thk.
60	736-0492	1	S	FI-Wash. .76" I.D. x 1.5" O.D. x .010" Thk.
60	736-0493	1	S	FI-Wash. .76" I.D. x 1.5" O.D. x .020" Thk.
60	736-0351	1	S	FI-Wash. .76" I.D. x 1.5" O.D. x .030" Thk.
60	736-0445	1	S	FI-Wash. .76" I.D. x 1.5" O.D. x .060" Thk.
61	736-0519	1	S	Thrust Washer
62	618-0162	1	S	Differential Ass'y.
63	732-0742	1	S	R.H.-Brake Spring
	737-0148	1	S	Grease-Shell (15 oz.)
	618-0163B	1	S	Grease-Shell (15 oz.)

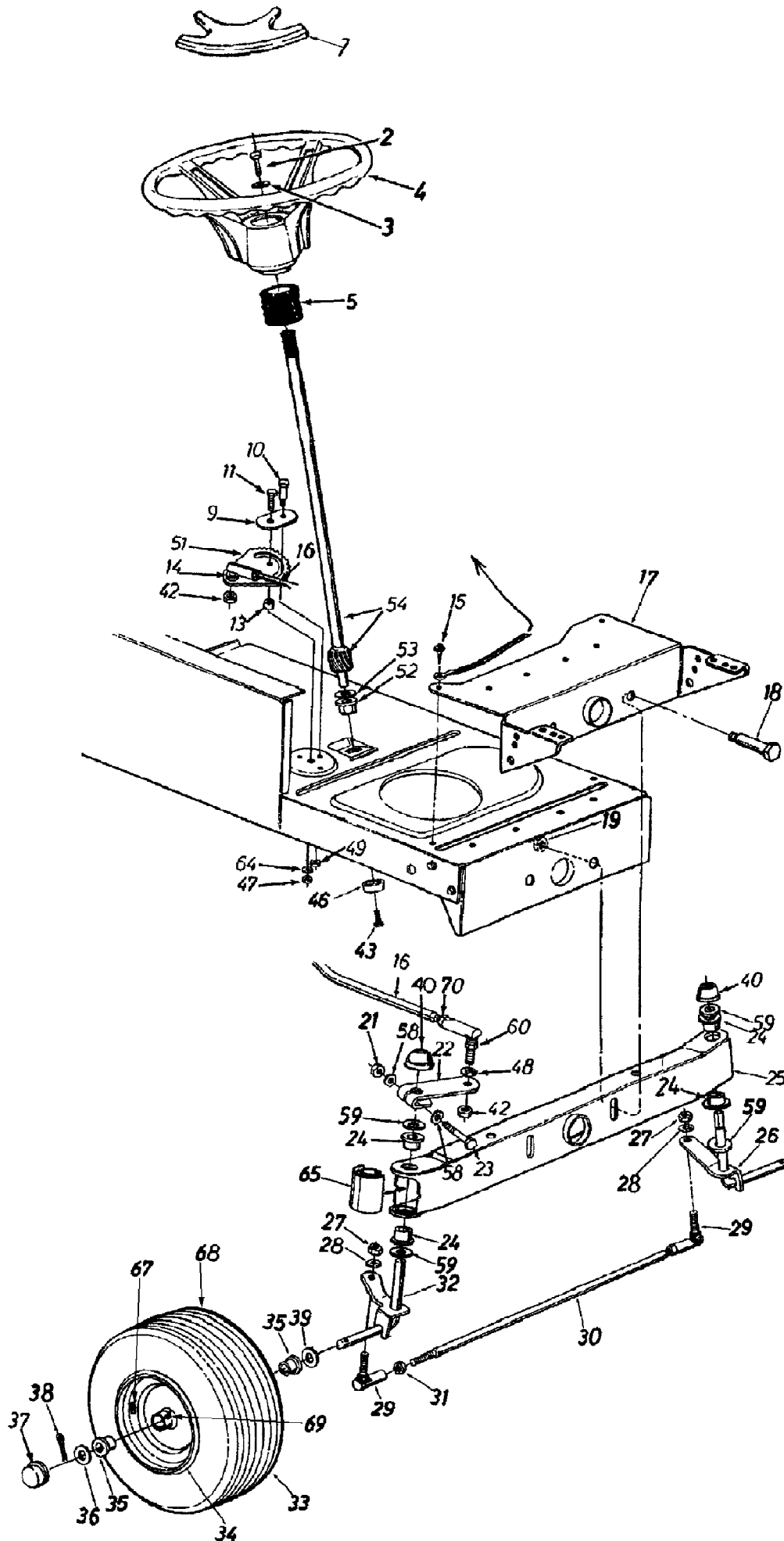
13AP683G190 LT-1500 (2000)
Speed Control



13AP683G190 LT-1500 (2000)
Speed Control

Page 20 of 23

Ref #	Part Number	Qty	S/P/F	Description
1	710-0924	1	/P	Truss Mach. Scr. 1/4-20 x.75" Lg.
2	783-0341	1		8-Speed Selector Plate
3	720-0218	1	/P	Shift Knob
4	16192A	1	/P	Speed Selector Lever Ass'y.
5	736-0192	1	S	Flat Washer .53" I.D. x .93"
6	711-0198	1	S	Ferrule 3/8-24 x .37" Dia.
7	738-0155	1	S	Shoulder Bolt
8	747-0503A	1		Speed Control Link
9	714-0111	1	S	Cotter Pin 3/32" Dia. x 1.0"
10	736-0226	1	S	FI-Wash. .469" I.D. x .88"
11	736-0119	1	S	L-Wash. 5/16" I.D.
12	712-3010	1	S	Hex Nut 5/16-18 Thd. (Gr. 5)
14	732-0303	1	S	Spring .38" O.D. x 3.18" Lg.
17	736-0300	1	S	FI-Wash. .385" I.D. x 7/8"
19	736-0329	1	S	L-Wash. 1/4" I.D.
20	712-3006	1	/P	Hex Nut 1/4-20 Thd. (Gr.5)



13AP683G190 LT-1500 (2000)
Steering, Front Wheels & Axle

Page 22 of 23

Ref #	Part Number	Qty	S/P/F	Description
1	731-1904	1	/P	Steering Wheel Cap
2	710-0643	1	/P	Hex Bolt 5/16-18 x 1" Lg.
3	736-0242	1	/P	Belleville Wash. .345" I.D.
4	731-1869	1		Steering Wheel
5	731-0954	1	S	Steering Bellow-9"
9	17198A	1	S	Retainer Plate
10	738-0141	1	S	Shoulder Bolt .437" Dia. x.35 Lg. 5/16-18 Thd.
11	710-1039	1	/P	Hex Bolt 3/8-24 x 1.0" Lg. (Gr. 8)
13	750-0535	1	S	Spacer .380" I.D. x .625" O.D. x .227
14	736-0217	1	S	L-Wash. 3/8" I.D. (H.D.)
15	710-0726	1	/P	Hex Wash. Hd. Self-Tap Scr.
16	711-1107	1	S	Steering Drag Link
17	783-0041B	1	/P	Front Pivot Brkt.
18	738-0527	1	S	Shoulder Bolt .498" Dia. x 2.04 Lg. 3/8-16 Thd.
19	712-0431	1	S	Flanged L- Nut 3/8-16 Thd.
21	712-0411	1	S	Hex L-Nut 5/16-24 Thd.
22	683-0055	1	S	Steering Arm Front Axle
23	710-0593	1		Hex Bolt 5/16-24 x 2.25" Lg. (Gr.5)
24	741-0659	1	S	Hex Flg. Brg. .632 I.D.
25	683-0128A	1	S	Pivot Bar Ass'y.
26	683-0127	1	S	Front Axle Ass'y.-L.H.
27	712-0241	1	/P	Hex Nut 3/8-24 Thd.
28	736-0169	1	S	L-Wash. 3/8" I.D.
29	723-3018	1	S	Ball Joint 3/8-24 Thd.
30	747-0753	1		Tie Rod (Adjustable)
31	712-0711	1	/P	Hex Jam Nut 3/8-24 Thd.
32	683-0126	1	S	Front Axle Ass'y.-R.H.
33	634-0115	1		Wheel Ass'y. Comp. 15 x 6
34	634-0051	1	S	Front Wheel Rim Only
35	741-0569	1	S	Bearing
36	736-0285	1	/P	FI-Wash. .635 I.D. x 1.59" O.D.
37	731-0484A	1	S	Hub Cap LT-1300
	731-2290	1	S	Hub Cap LT-1500
38	714-0470	1	S	Cotter Pin 1/8" Dia. x 1.25"
39	736-0162	1	/P	FI-Wash. .640 x 1.00 x 1.20
40	726-0214	1	/P	Push Cap 5/8" Dia. Rod
42	712-0262	1	/P	Hex Jam Nut 3/8-24 Thd.
43	710-1309	1	/P	Hex Patch Bolt 5/16-18 x .62"
46	748-0389	1	S	Cap
47	712-0214	1	S	Hex Cent. L-Nut 3/8-24 Thd.
48	736-0217	1	S	L-Wash. 3/8" I.D.
49	712-0158	1	S	Hex Cent. L-Nut 5/16-18 Thd.
51	717-0622A	1	S	Steering Gear Segment
52	741-0656	1	S	Hex Flg. Brg. .634 I.D.
53	736-0187	1	/P	FI-Wash. (Hardened)
54	738-0919	1	S	Steering Shaft
58	736-3081	1		Wave-Wash. .32" I.D. x .60" O.D.
59	736-0187	1	/P	FI-Wash. (Hardened)
60	723-0448A	1	S	Drag Link Ball Joint 7/16-20 Thd.
64	736-0356	1	S	Bell-Wash. .39" I.D. x 1.38" O.D.
65	731-1291A	1	S	Pivot Bar End Cap (Optional)

13AP683G190 LT-1500 (2000)
Steering, Front Wheels & Axle

Ref #	Part Number	Qty	S/P/F	Description
67	734-0255	1	S	Valve - Air
68	734-1731	1		Tire Only
69	737-0280	1	S	Grease Fitting
70	712-0240	1	S	Jam Nut 7/16-20